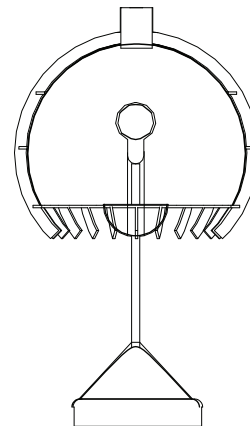
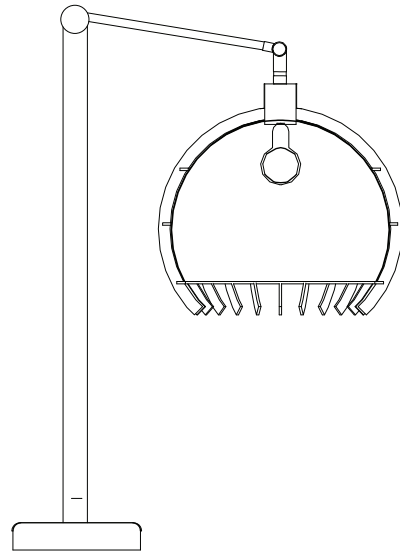
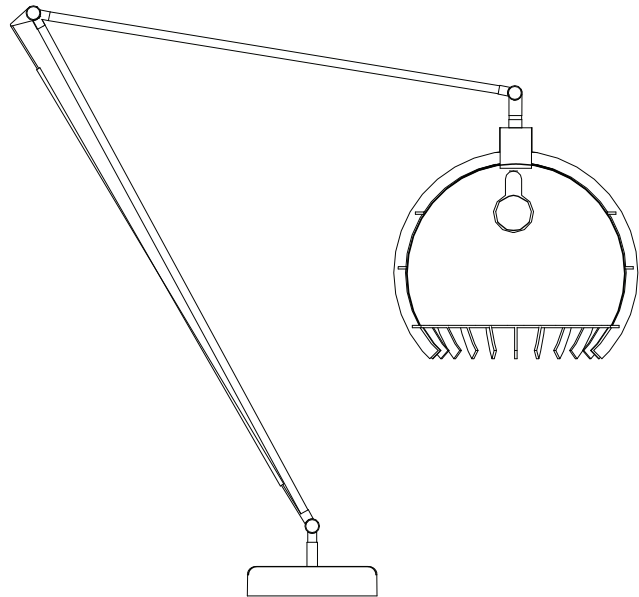
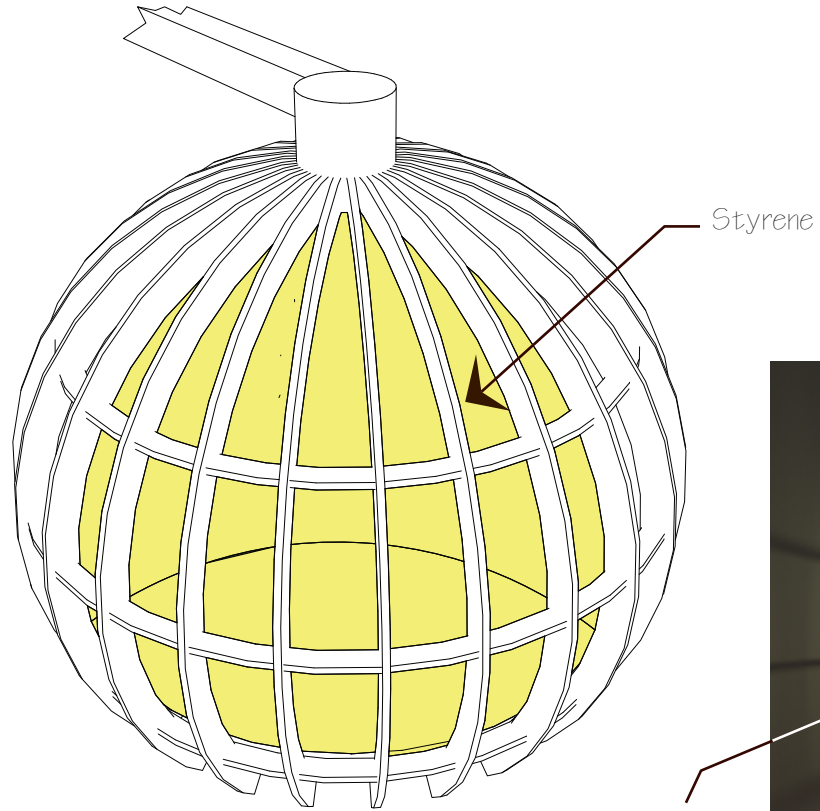
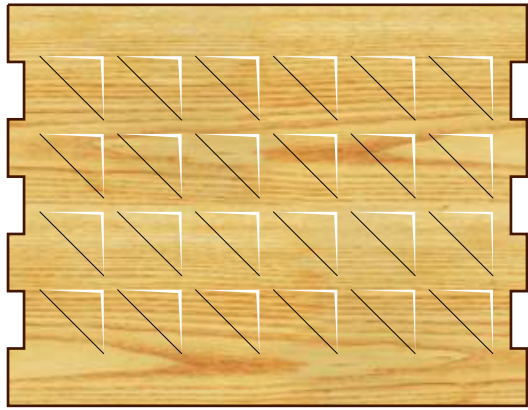


# Option 1:



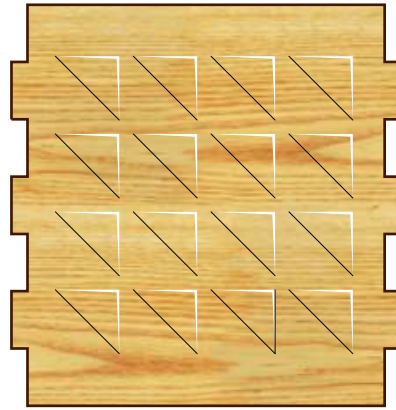
Diameter : 300mm to 400mm  
Option of having pressure sensitive styrene or the wooden frame alone.

## Option 2:



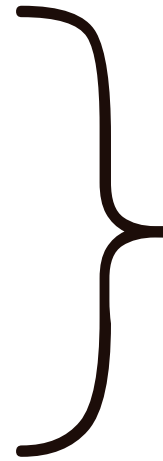
Front Panel

Dimensions: 300mm x 250mm

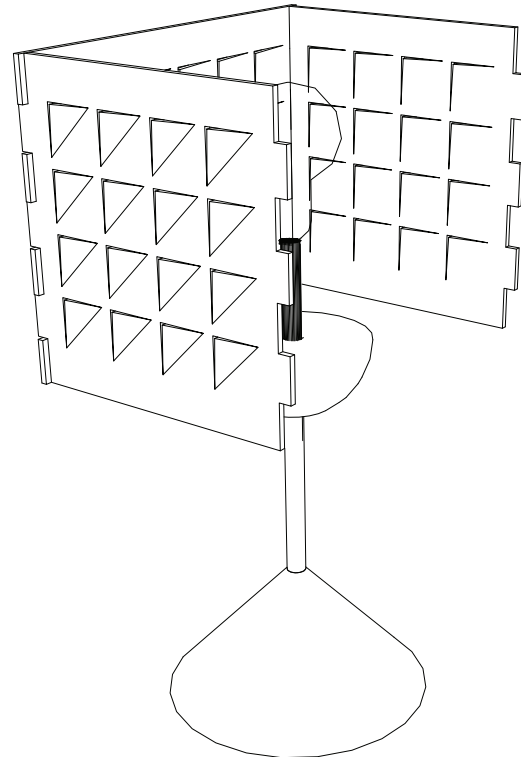
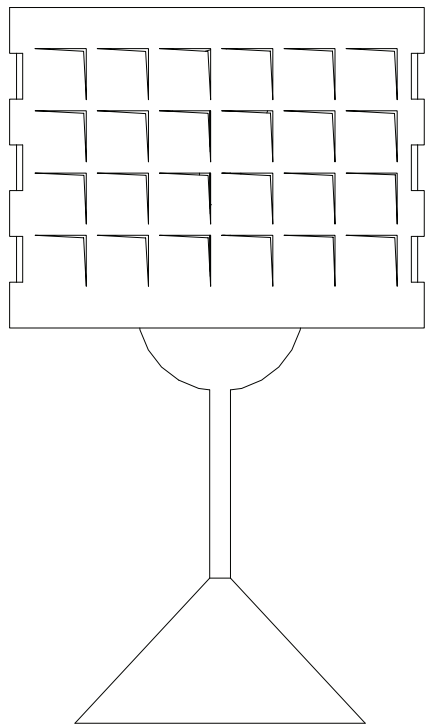


Side Panel

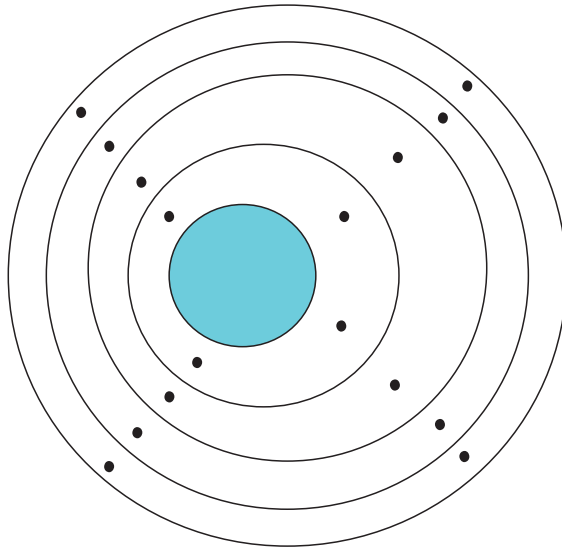
Dimensions: 250mm x 200mm



3mm plywood with Jigsaw pattern so as to lock and fit on assembly.

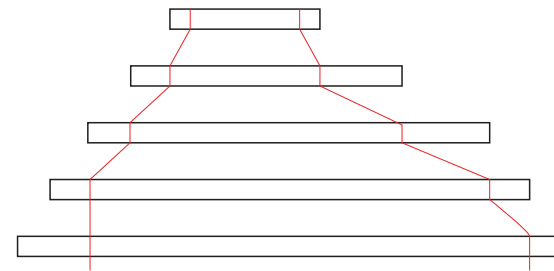


## Option 3:



PLAN

Laminated Blockboard cut  
into circles on 300mm x 300mm  
area.



ELEVATION

Lipping done by coloured  
vinyl or any suitable laminate  
RED denotes the string or cable that will  
hold the individual circles.